



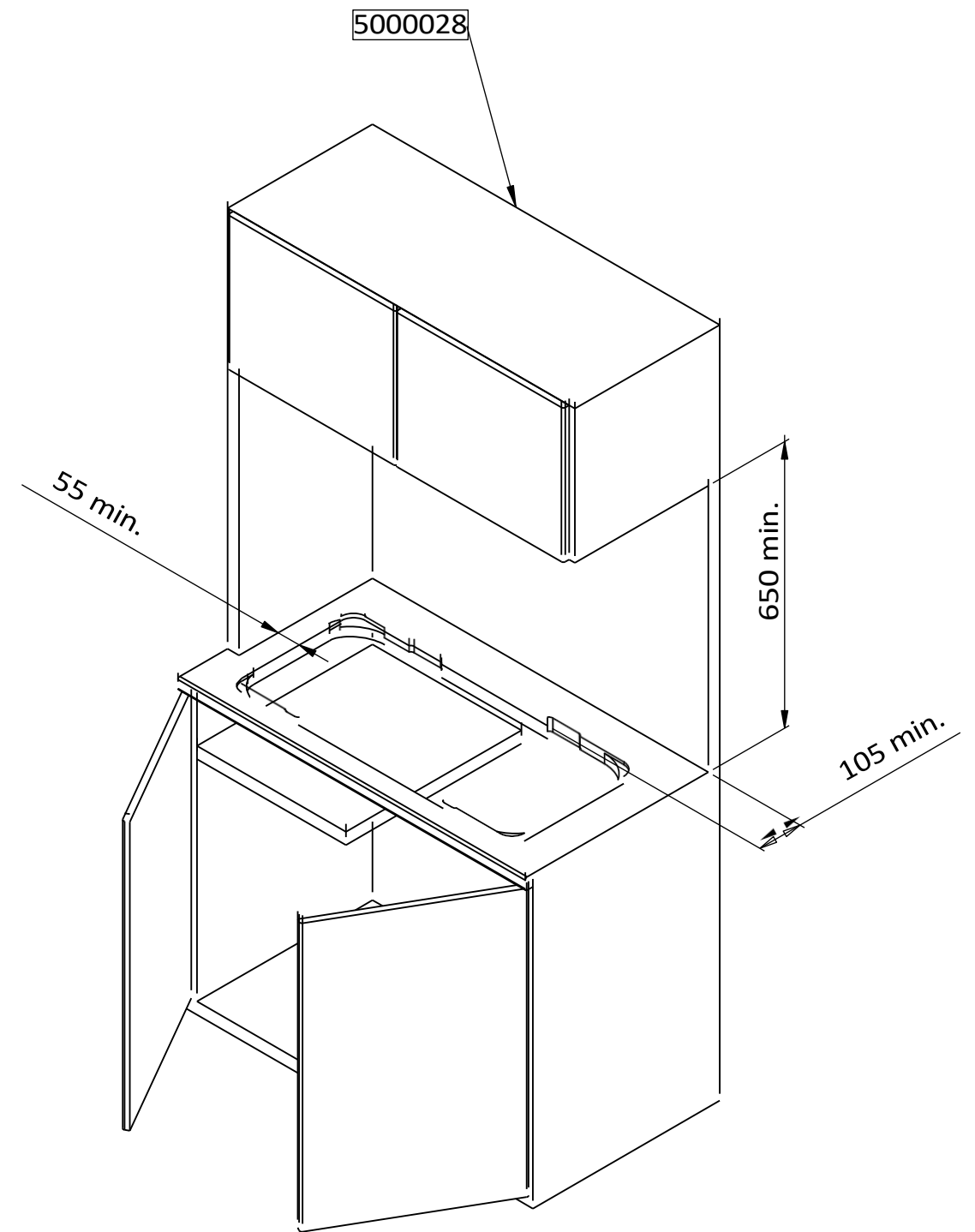
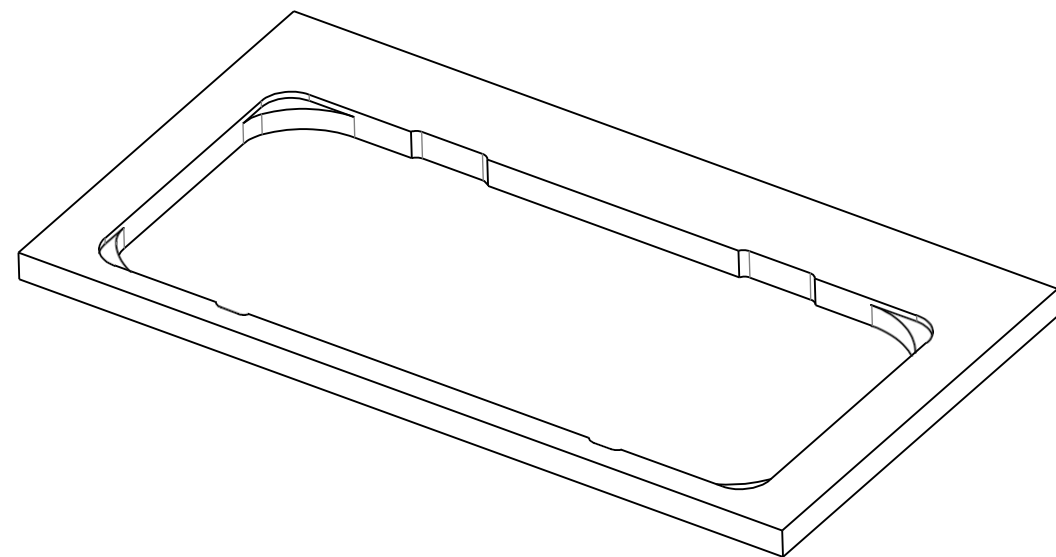
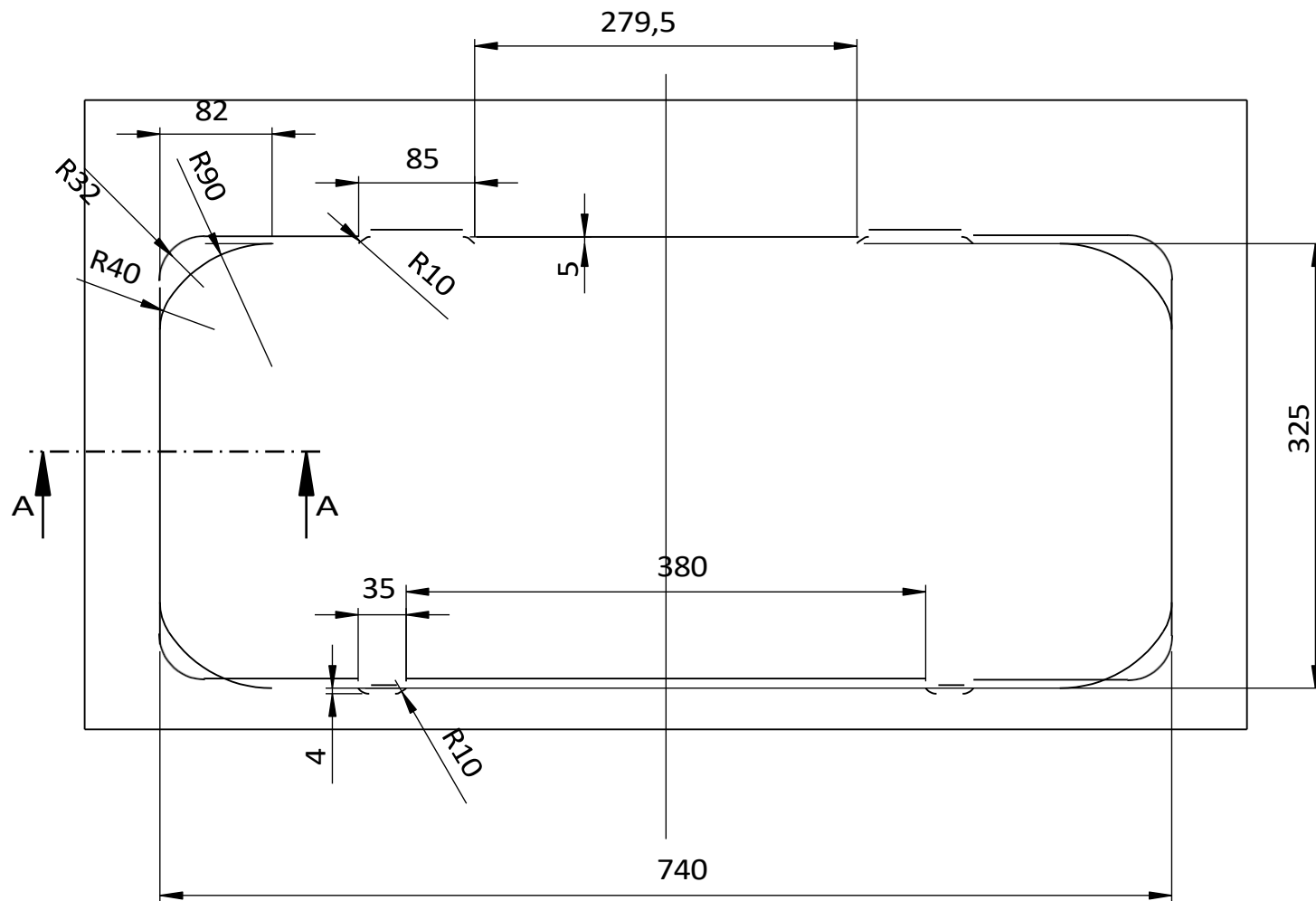
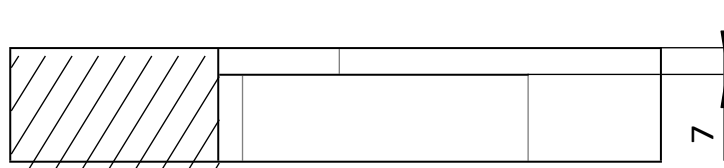
The content of this document is purely indicative. We reserve the right to make technical changes to the product at any time and without prior notice.

This document is purely indicative. We reserve the right to modify the product, at any moment and without notice of any technical changes.


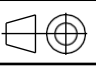
 <a href="http://www.cansrl.com">www.cansrl.com</a>	Material:	Date-Date: 19/10/2020	Sheet-Sheet: A3 1 / 2	
	Treatment: Finish:	Dimensions in mm. Dimensions in mm.	Weight Kg: 5.56	
Description: COMBINED TOP - FL1765-P		Article number:		
Description: COMBINED COOKTOP - FL1765-P		Article: FL1765-P		

All rights are strictly reserved. Any form of use and/or reproduction without authorisation from CAN S.r.l. is prohibited. All rights are strictly reserved. Any form off reproduction or issue is forbidden without permission of CAN S.r.l.

SECTION A-A  
SCALE 1 : 2



*The content of is purely indicative. We reserve the right to make technical changes to the product at any time and without prior notice.*  
*This document is purely indicative. We reserve the right to modify the product, at any moment and without notice of any technical changes.*

 <a href="http://www.cansrl.com">www.cansrl.com</a>	Material:	Date-Date: 19/10/2020	Sheet-Sheet: A3 2 / 2	
	Treatment:	Dimensions in mm.	Weight Kg:	
	Finish:	Dimensions in mm.	5.56	
	Description: COMBINED TOP - FL1765-P	Description: COMBINED COOKTOP - FL1765-P		Article number:
<p><i>All rights are strictly reserved. Any form of use and/or reproduction without authorisation from CAN S.r.l. is prohibited. All rights are strictly reserved. Any form off reproduction or issue is forbidden without permission of CAN S.r.l.</i></p>				