


BURNER SPECIFICATIONS - 3RD SERIES

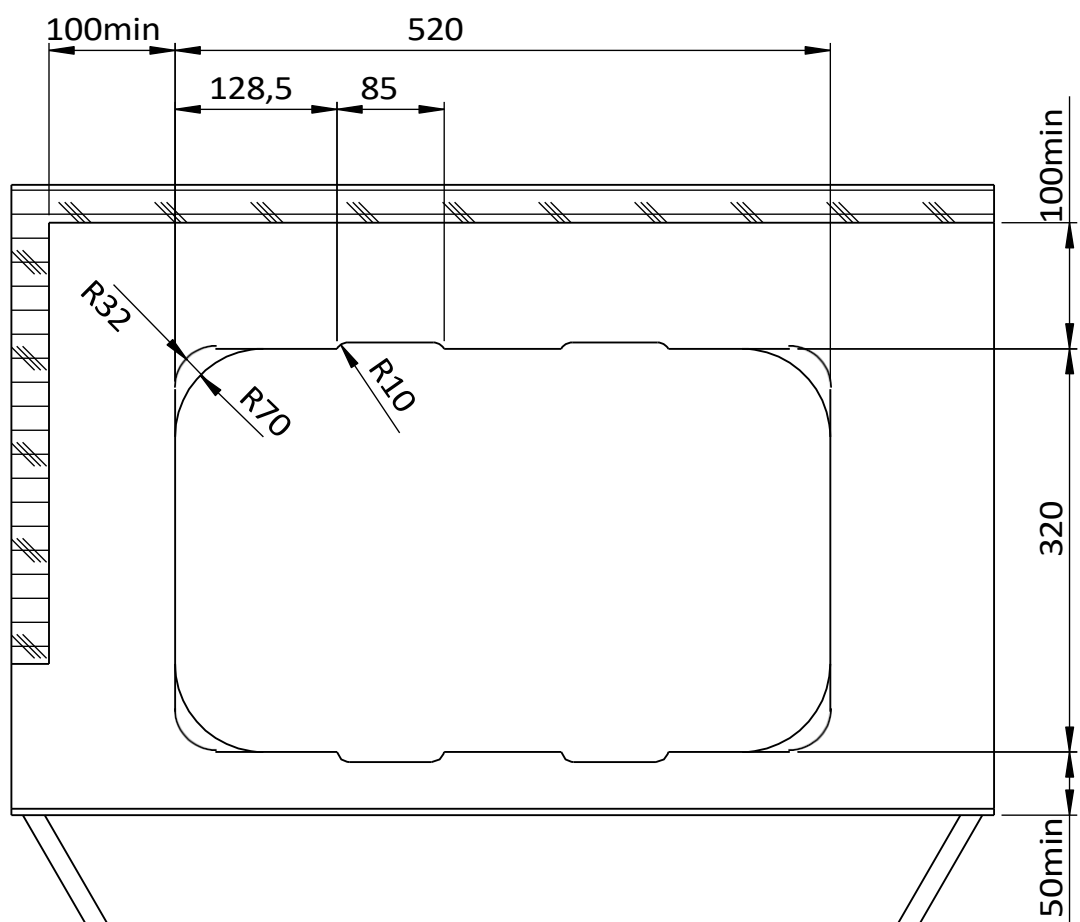
BURNER MODEL BURNER TYPE	NOMINAL POWER(kw) NOMINAL POWER (kW)	NOMINAL CONSUMPTION (g/h) NOMINAL CONSUMPTION (g/h)
SR burner - SEMIRAPID Burner SR - SEMIRAPID	2,00	146

The content of this document is purely indicative. We reserve the right to make technical changes to the product at any time and without prior notice.

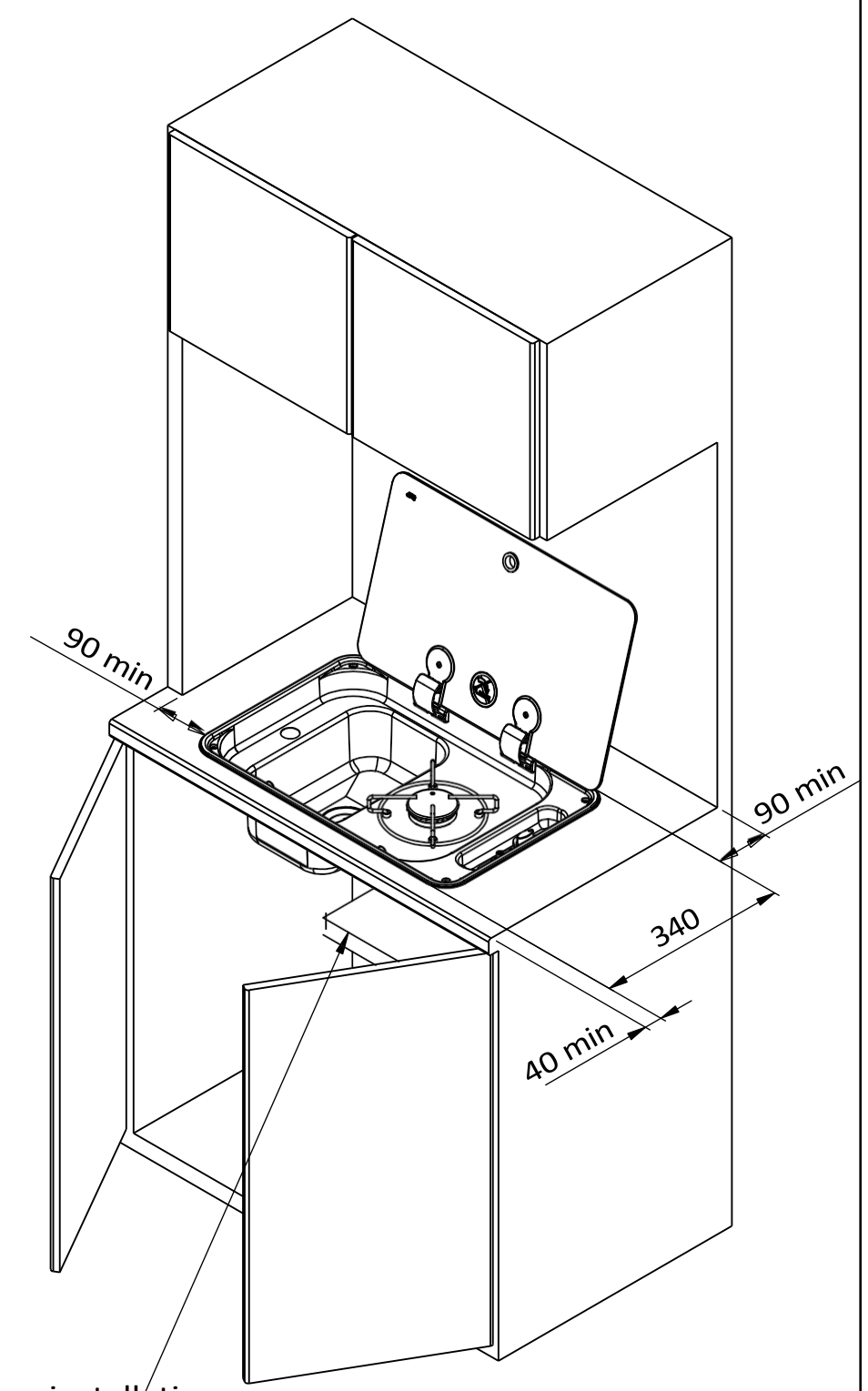
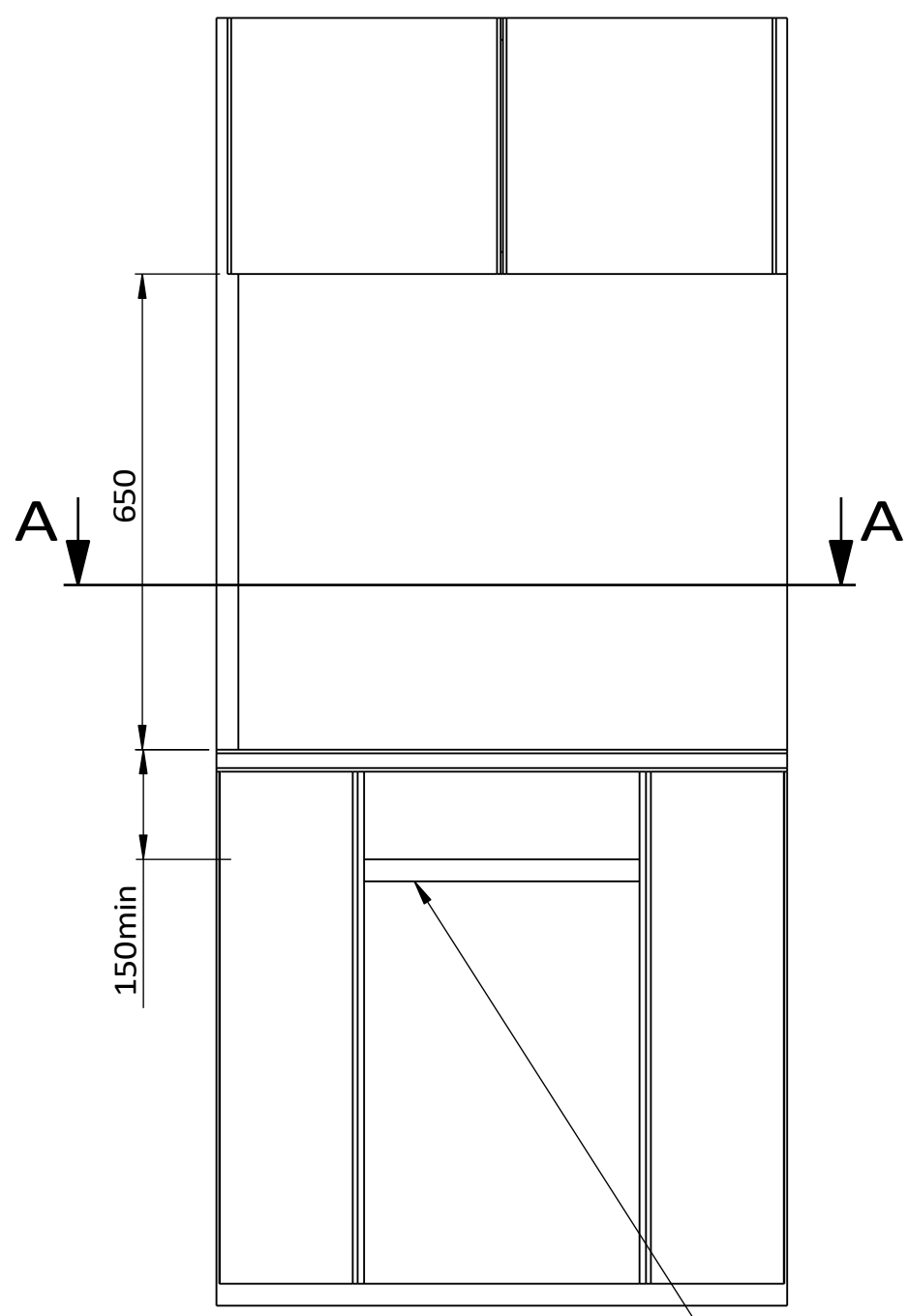
This document is purely indicative. We reserve the right to modify the product, at any moment and without notice of any technical changes.

 www.cansrl.com	Material:	Date-Date: 08/07/2021	Sheet-Sheet: A3 1 / 2
	Treatment: Finish:	Dimensions in mm. Dimensions in mm.	Weight Kg: Weight Kg: 3.80
Description: FL1324-P COMBINED TOP		Article number: Article: FL1324-P	

All rights are strictly reserved. Any form of use and/or reproduction without authorisation from CAN S.r.l. is prohibited. All rights are strictly reserved. Any form off reproduction or issue is forbidden without permission of CAN S.r.l.



SECTION A-A
SCALE 1 : 6



panel compulsory installation
only in the presence of
appliances below the hob

The content of this document is purely indicative. We reserve the right to make technical changes to the product at any time and without prior notice.

~~This document is purely indicative. We reserve the right to modify the product, at any moment and without notice of any technical changes.~~

	Material:	Date-Date: 08/07/2021	Sheet-Sheet: A3 2 / 2	
	Treatment:	Dimensions in mm.	Weight Kg:	3.80
	Finishing:	Dimensions in mm.	Article number:	
Description: FL1324-P COMBINED TOP				
Description:		Article: FL1324-P		

All rights are strictly reserved. Any form of use and/or reproduction without authorisation from CAN S.r.l. is prohibited. All rights are strictly reserved. Any form off reproduction or issue is forbidden without permission of CAN S.r.l.