


BURNER SPECIFICATIONS - 3RD SERIES

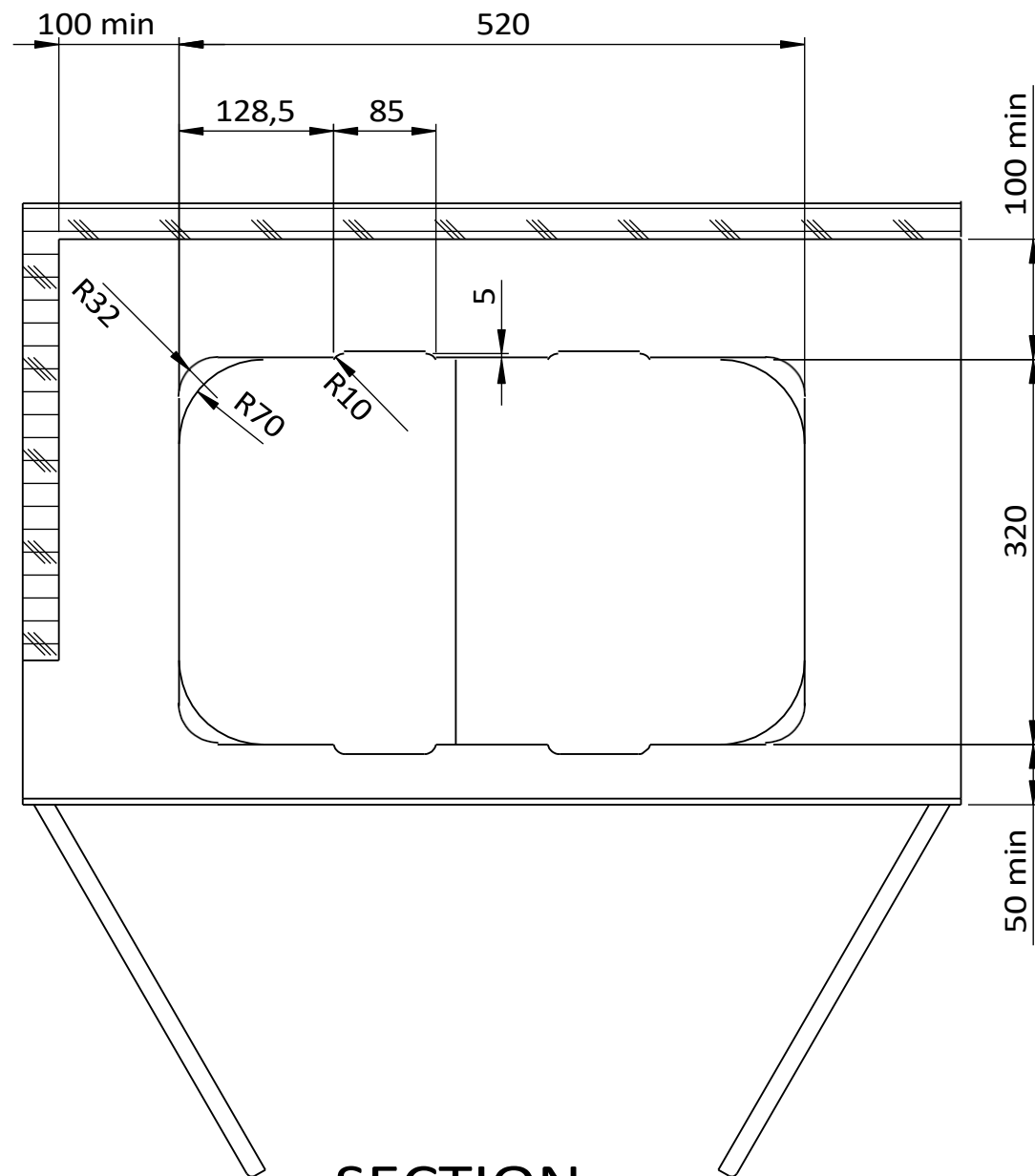
BURNER MODEL BURNER TYPE	NOMINAL POWER(kw) NOMINAL POWER (kW)	CONSUMPTION (g/h) NOMINAL CONSUMPTION (g/h)
SR burner - SEMIRAPID Burner SR - SEMIRAPID	2,00	146

The content of this document is purely indicative. We reserve the right to make technical changes to the product at any time and without prior notice.

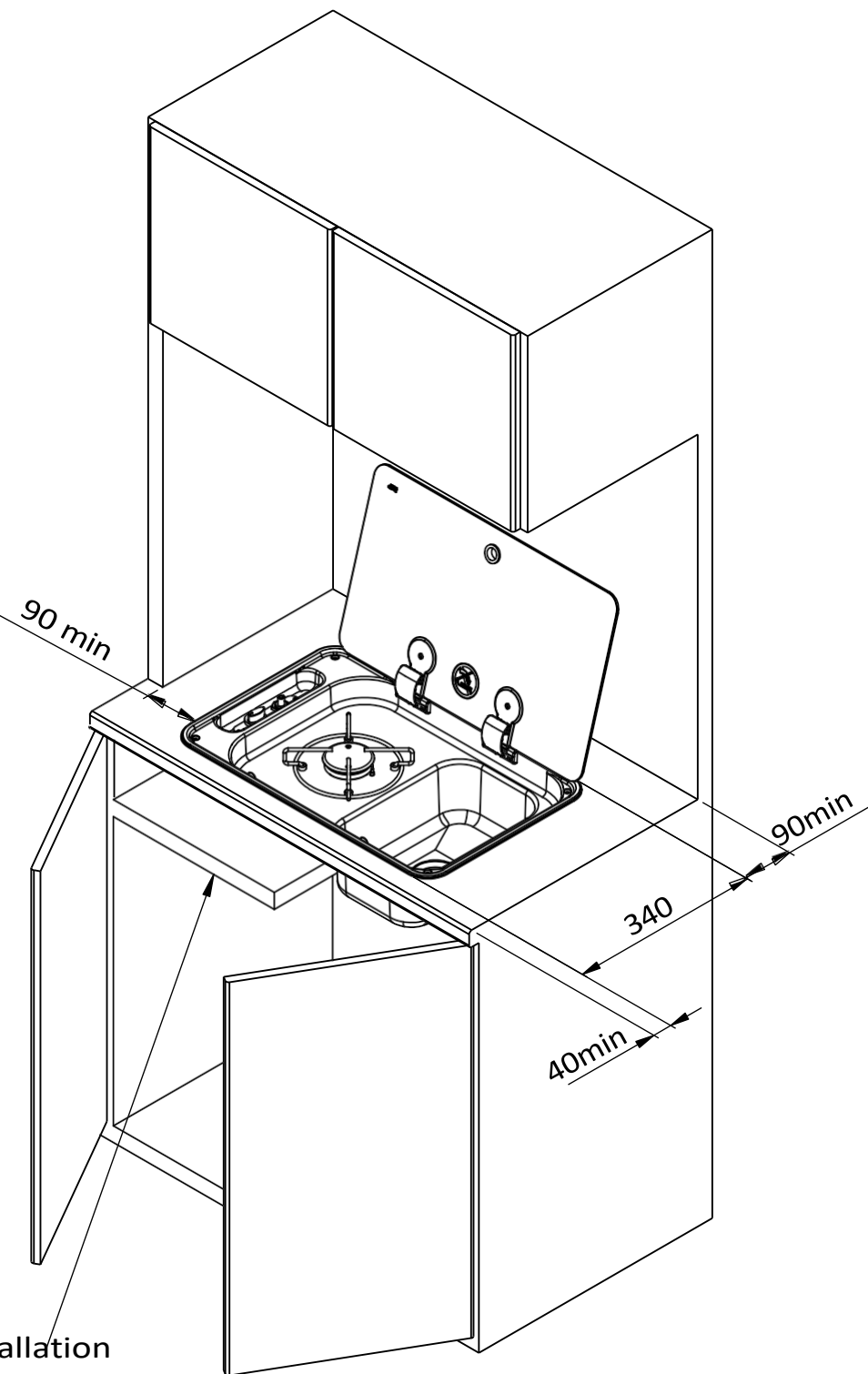
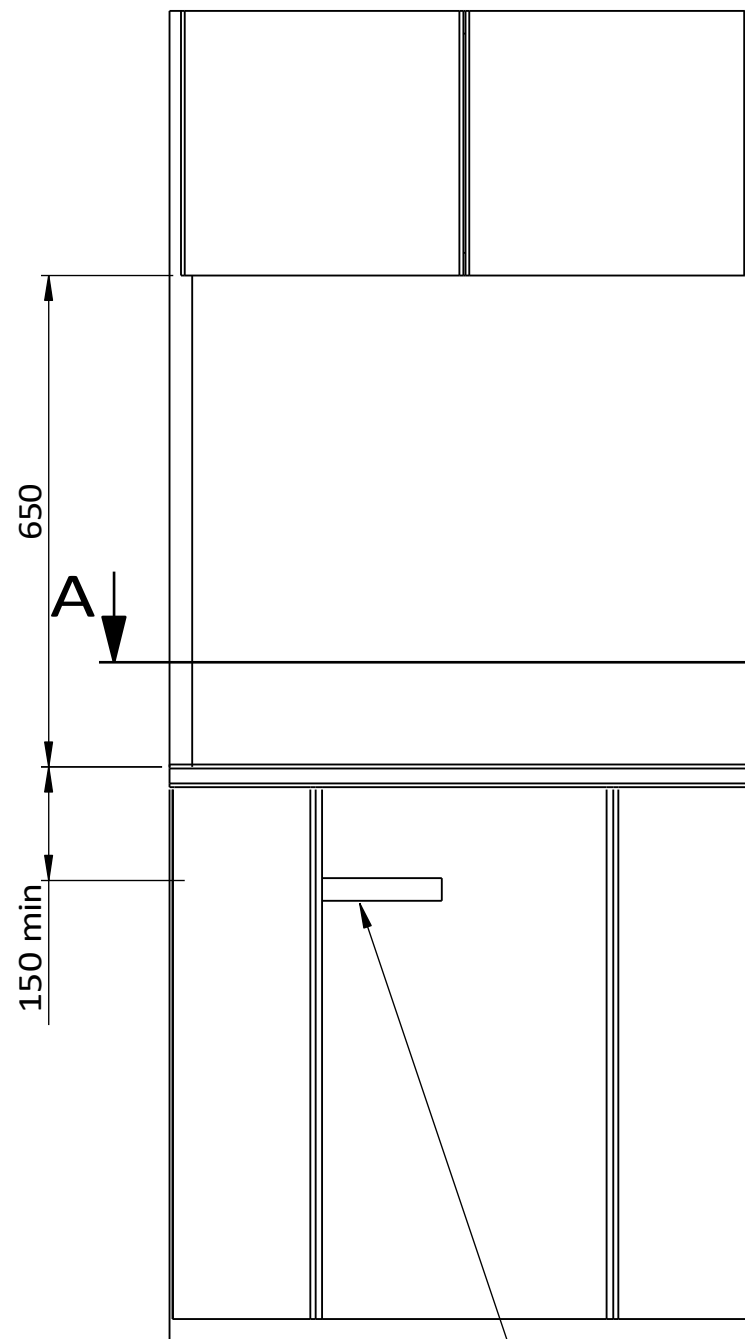
This document is purely indicative. We reserve the right to modify the product, at any moment and without notice of any technical changes.

 www.cansrl.com	Material:	Date-Date: 08/07/2021	Sheet-Sheet: A3 1 / 2
	Treatment:	Dimensions in mm.	Weight Kg: 3.76
	Finishing:	Dimensions in mm.	
	Description: COMBI-TABLE FL1323-P	Article number: Article: FL1323-P	

All rights are strictly reserved. Any form of use and/or reproduction without authorisation from CAN S.r.l. is prohibited. All rights are strictly reserved. Any form off reproduction or issue is forbidden without permission of CAN S.r.l.




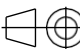
SECTION A-A
SCALE 1 : 6



separation panel installation
only compulsory if there are
appliances below the hob

The content of this document is purely indicative. We reserve the right to make technical changes to the product at any time and without prior notice.

This document is purely indicative. We reserve the right to modify the product, at any moment and without notice of any technical changes.

Material:		Date-Date: 08/07/2021		A3 2 / 2	
 www.cansrl.com	Treatment:	Dimensions in mm.	Weight Kg:	3.76 	
	Finishing:	Dimensions in mm.			
Description: COMBI-TABLE FL1323-P			Article number:		
Description: COMBINED COOK TOP FL1323-P			Article: FL1323-P		

All rights are strictly reserved. Any form of use and/or reproduction without authorisation from CAN S.r.l. is prohibited. All rights are strictly reserved. Any form off reproduction or issue is forbidden without permission of CAN S.r.l.