
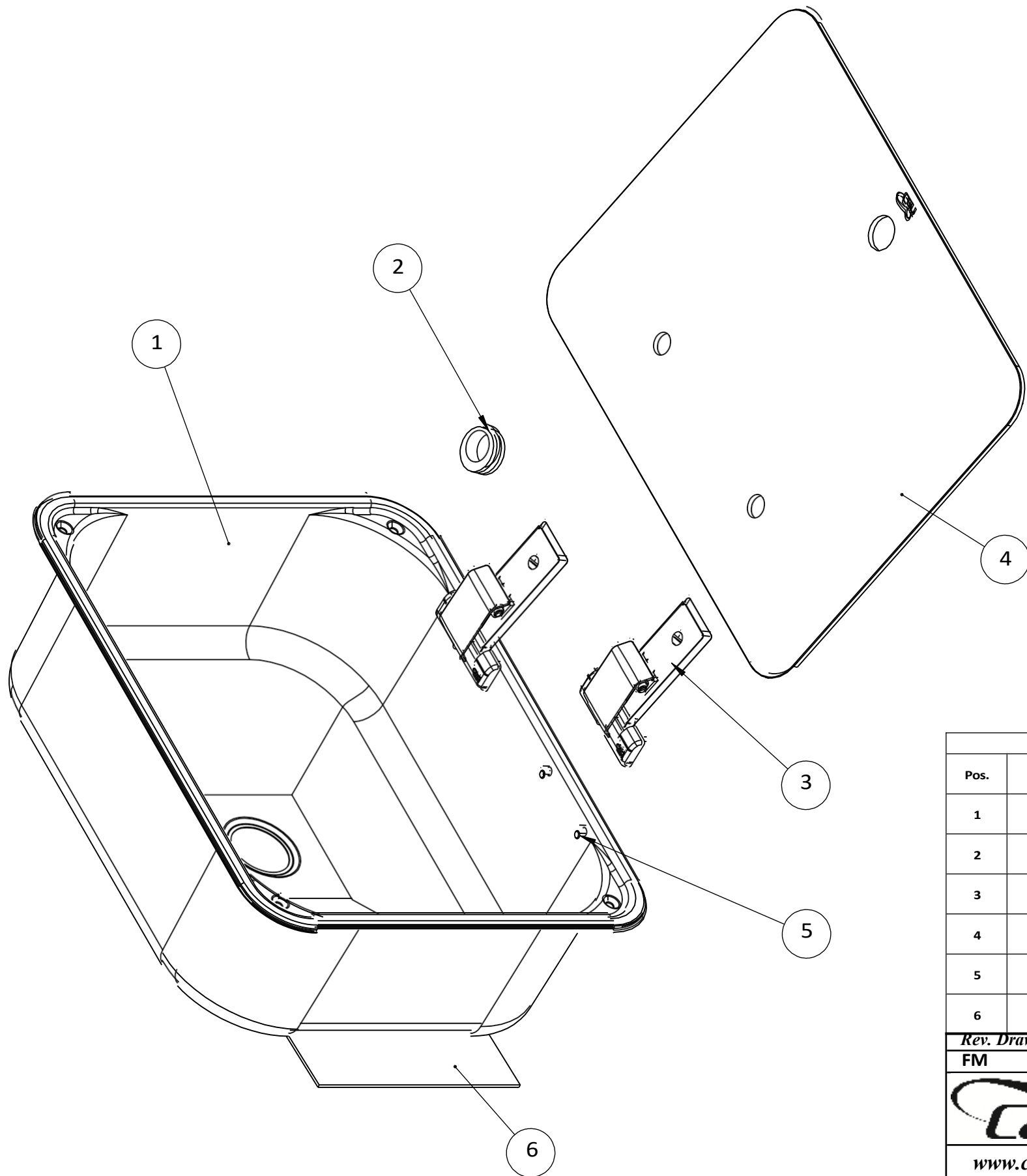


Rev. Drawer:	Rev. Day:	Rev. Description:	
FM	11/05/2021	ISSUE	
 <a href="http://www.cansrl.com">www.cansrl.com</a>	Material:	Weight Kg: Draftsman: FM Drawer: FM Dimensions in mm. Date-Date: 12/05/2021	Gen. Tolerance: $\pm 0.2$ Scale-Scale: Sheet-Sheet: 1:4 A3 1 / 4 Drawing Nr.
	Finish:		
	Treatment:	Dimensions in mm.	Drawing No.
	Description:	Article number:	Rev:
	VSC RETT C/COP VTR 375x300-h120 - PØ39		1000436 01
	RECT SINK W/GLASS LID 375x300-W120 - WØ39	<b>APPROVED</b>	

All rights are strictly reserved. Any form of use and/or reproduction without authorisation from CAN S.r.l. is prohibited. All rights are strictly reserved. Any form of reproduction or issue is forbidden without permission of CAN S.r.l.

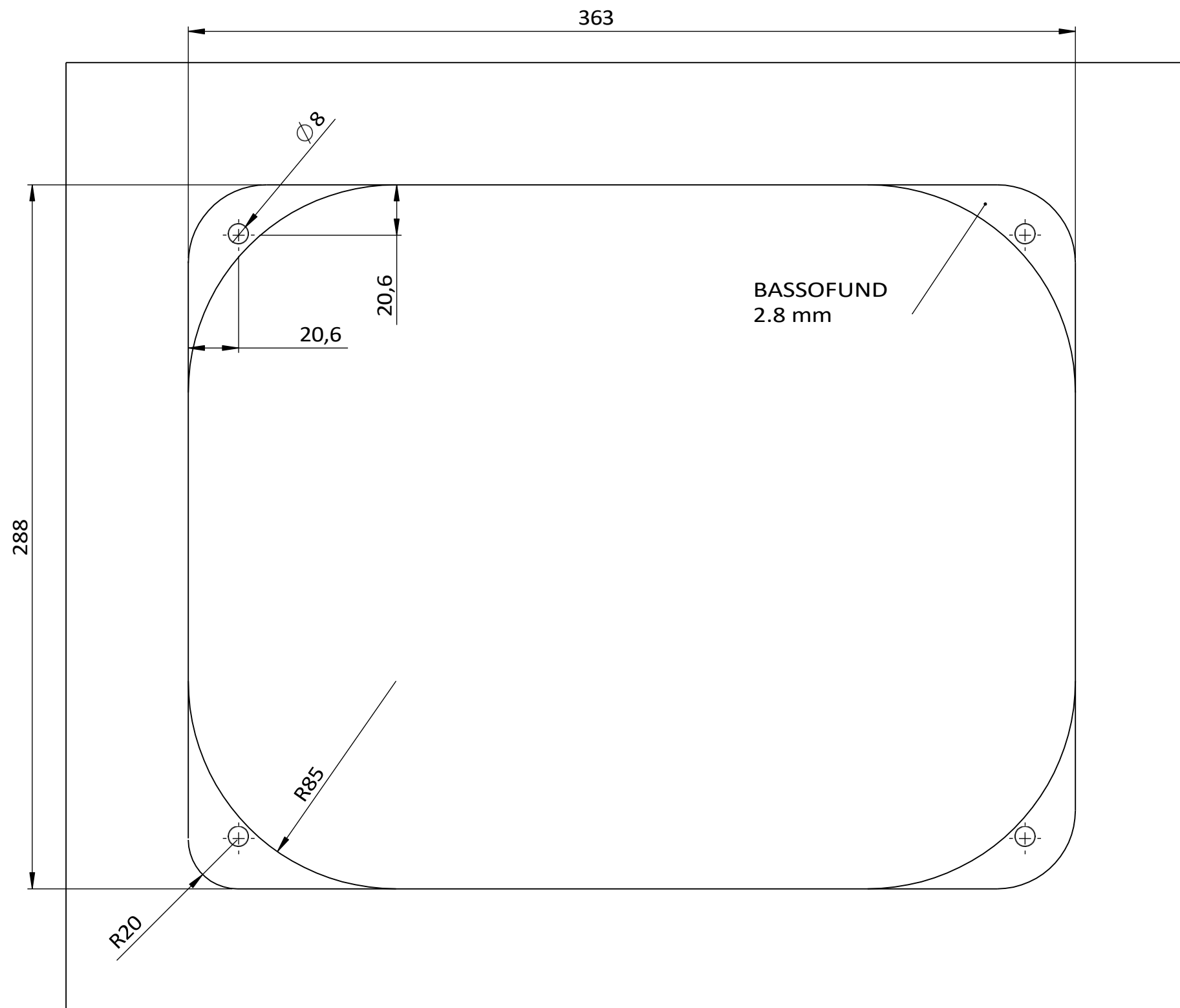



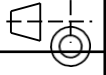
**N.B.**  
**THE ANTI-RUMBLE SHEET MUST BE CUT IN HALF**  
**AND APPLIED EXTERNALLY TO THE LOW SURFACE ALONG THE**  
**LONGEST SIDE**

Bill of Materials Table - 1000436 -				
Pos.	Code	Revision	Description	Qty
1	3001647	01	VSC RETT-375X300Xh120 - PØ39 - LR1375	1
2	4000170	01	GLASS COVER GROMMET	1
3	2000350	01	PR.HINGE SQUARE_A+13°_SCREW BLACK	2
4	3001550	01	GLASS COVER LR1375	1
5	4000229	01	TC+ SCREW M5x6 A2 ISO 7045	4
6	3001530	01	ANTI-ROMBO ADHESIVE SHEET 150X150X2mm	1

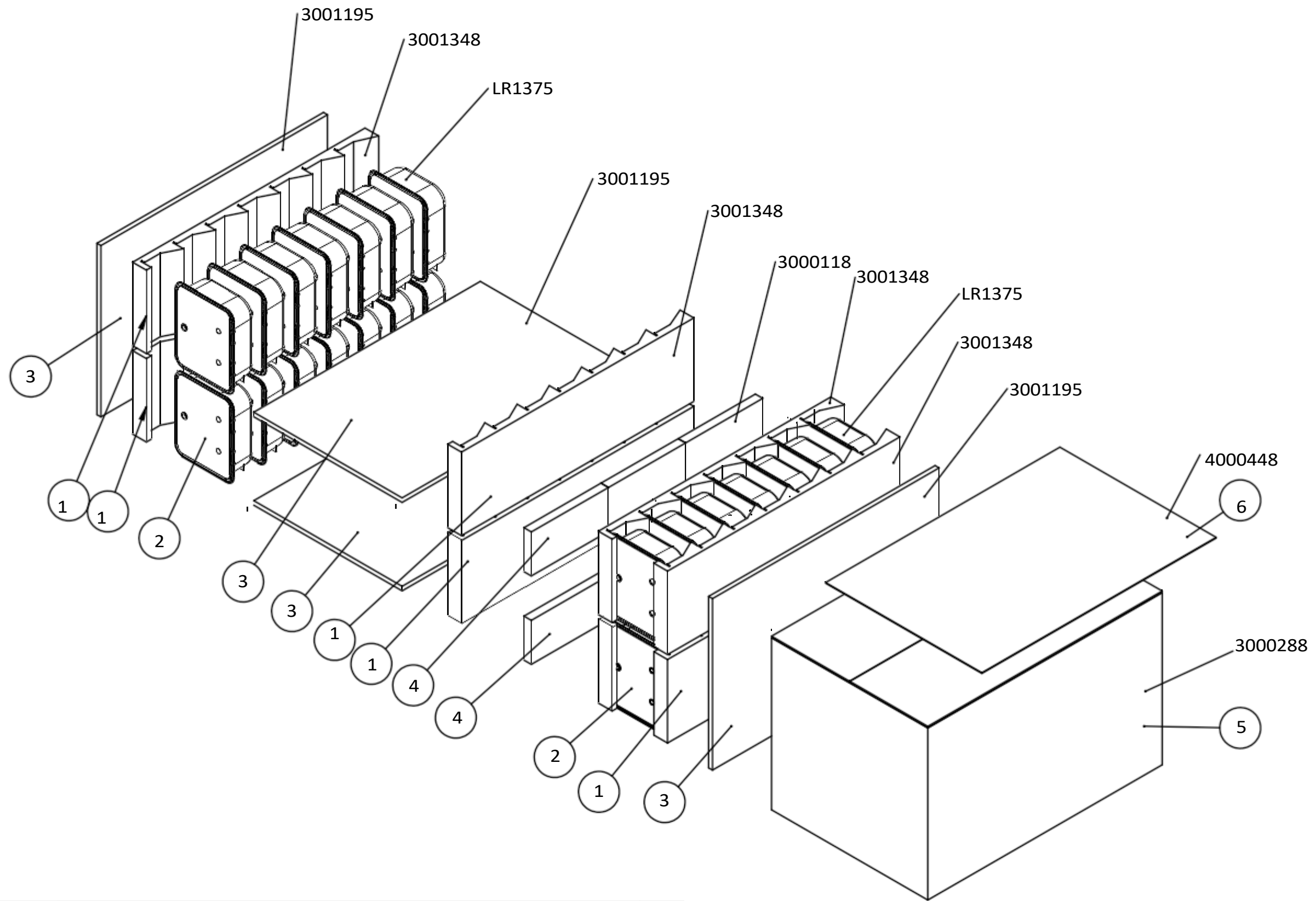
<b>Rev. Drawer:</b> FM		<b>Rev. Day:</b> 11/05/2021		<b>Rev. Description:</b> EMISSION	
		<b>Material:</b>		<b>Weight Kg:</b>	
<a href="http://www.cansrl.com">www.cansrl.com</a>		<b>Finish:</b>		<b>Draftsman:</b> FM	
		<b>Treatment:</b>		<b>Scale-Scale:</b> 1:3	
		<b>Description:</b> VSC RETT C/COP VTR 375x300-h120 - PØ39		<b>Sheet-Sheet:</b> A3 2 / 4	
		<b>Article:</b> LR1375		<b>Drawing Nr.</b> 1000436	
		<b>Article number:</b> RECT SINK W/GLASS LID 375x300-W120 - WØ39		<b>Rev:</b> 01	
		<b>Date-Date:</b> 12/05/2021		<b>APPROVED</b>	

All rights are strictly reserved. Any form of use and/or reproduction without authorisation from CAN S.r.l. is prohibited. All rights are strictly reserved. Any form off reproduction or issue is forbidden without permission of CAN S.r.l.




<i>Rev. Drawer:</i>	<i>Rev. Day:</i>	<i>Rev. Description:</i>	
FM	11/05/2021	ISSUE	
 <a href="http://www.cansrl.com">www.cansrl.com</a>	<i>Material:</i>	<i>Weight Kg:</i> <i>Draftsman:</i> FM <i>Drawer:</i>	<i>Gen. Tolerance:</i> ± 0.2 <i>Scale-Scale:</i> 1:2 <i>Sheet-Sheet:</i> A3 3 / 4 <i>Drawing Nr.</i>
	<i>Finish:</i>		
	<i>Treatment:</i>	<i>Dimensions in mm.</i>	 <i>Drawing No.</i>
	<i>Description:</i>	<i>Dimensions in mm.</i>	
	<i>Article number:</i>	<i>Date-Date:</i> 12/05/2021	<b>1000436</b> <b>01</b>
	VSC RETT C/COP VTR 375x300-h120 - PØ39	<b>APPROVED</b>	
	RECT SINK W/GLASS LID 375x300-W120 - WØ39		

All rights are strictly reserved. Any form of use and/or reproduction without authorisation from CAN S.r.l. is prohibited. All rights are strictly reserved. Any form of reproduction or issue is forbidden without permission of CAN S.r.l.



Bill of Materials Table - 1000436 -

Pos.	Code	Revision	Description	Qty
1	3001348	01	COMB EPS IP - FL1765	8
2	1000436	01	VSC RETT C/COP VTR 375x300-h120 - PØ39	28
3	3001195	01	IP-Flat EPS PANEL - 1160x760x20 - PV1369	5
4	3000118	02	FLAT EPS PANEL SP- 395 x 195 x 38 - FL / FC	6
5	3000288	01	CARDBOARD BOX 80X120 NEUTRAL	1
6	4000448	01	CARDBOARD SHEET 800X1200X3	1

Rev. Drawer:	Rev. Day:	Rev. Description:		
FM	11/05/2021	ISSUE		
 <a href="http://www.cansrl.com">www.cansrl.com</a>	Material:	Weight Kg:	Gen. Tolerance: ± 0.2	
	Finish:	Draftsman:	Scale-Scale: Sheet-Sheet:	
	Treatment:	FM	1:15 A3 4 / 4	
	Description:	Article: LR1375	Drawing Nr.	
	Description:	Artice number:	Drawing No.	
VSC RETT C/COP VTR 375x300-h120 - PØ39			Date-Date: 12/05/2021	Rev:
RECT SINK W/GLASS LID 375x300-W120 - WØ39			<b>APPROVED</b>	<b>1000436 01</b>

All rights are strictly reserved. Any form of use and/or reproduction without authorisation from CAN S.r.l. is prohibited. All rights are strictly reserved. Any form off reproduction or issue is forbidden without permission of CAN S.r.l.