


BURNER SPECIFICATIONS - 3RD SERIES

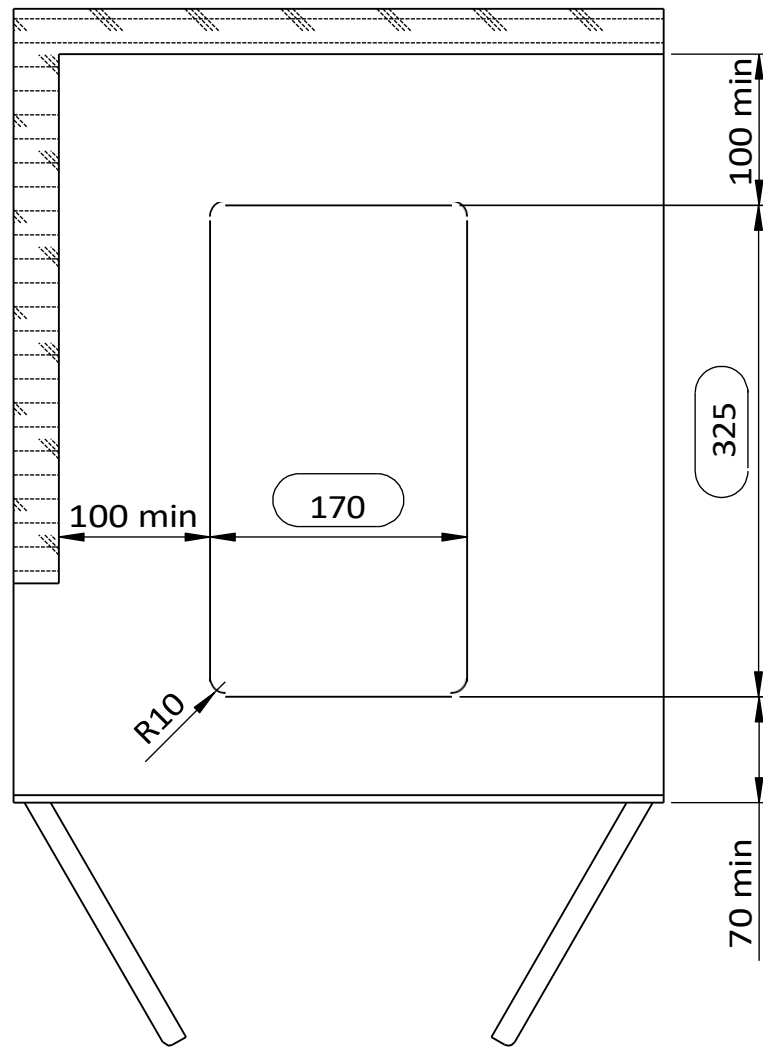
BURNER MODEL BURNER TYPE	NOMINAL POWER(kw) NOMINAL POWER (kW)	CONSUMPTION(g/h) NOMINAL CONSUMPTION (g/h)
SR burner - SEMIRAPID Burner SR - SEMIRAPID	2,00	146

The content of this document is purely indicative. We reserve the right to make technical changes to the product at any time and without prior notice.

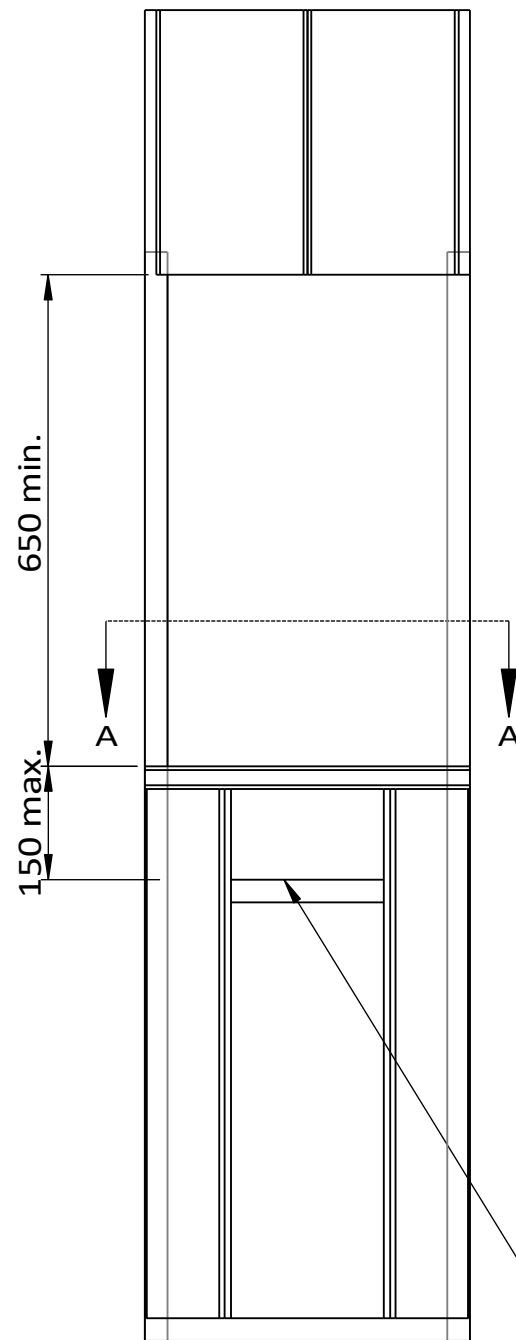
This document is purely indicative. We reserve the right to modify the product, at any moment and without notice of any technical changes.

 www.cansrl.com	Material:	Date-Date: 15/11/2021	Sheet-Sheet: A3 1 / 2
	Treatment: Finish:	Dimensions in mm. Dimensions in mm.	Weight Kg: Weight Kg: 2.11
Description: 1F GLASS COOKING TOP PV 1350-S			Article number: Article: PV1350-S

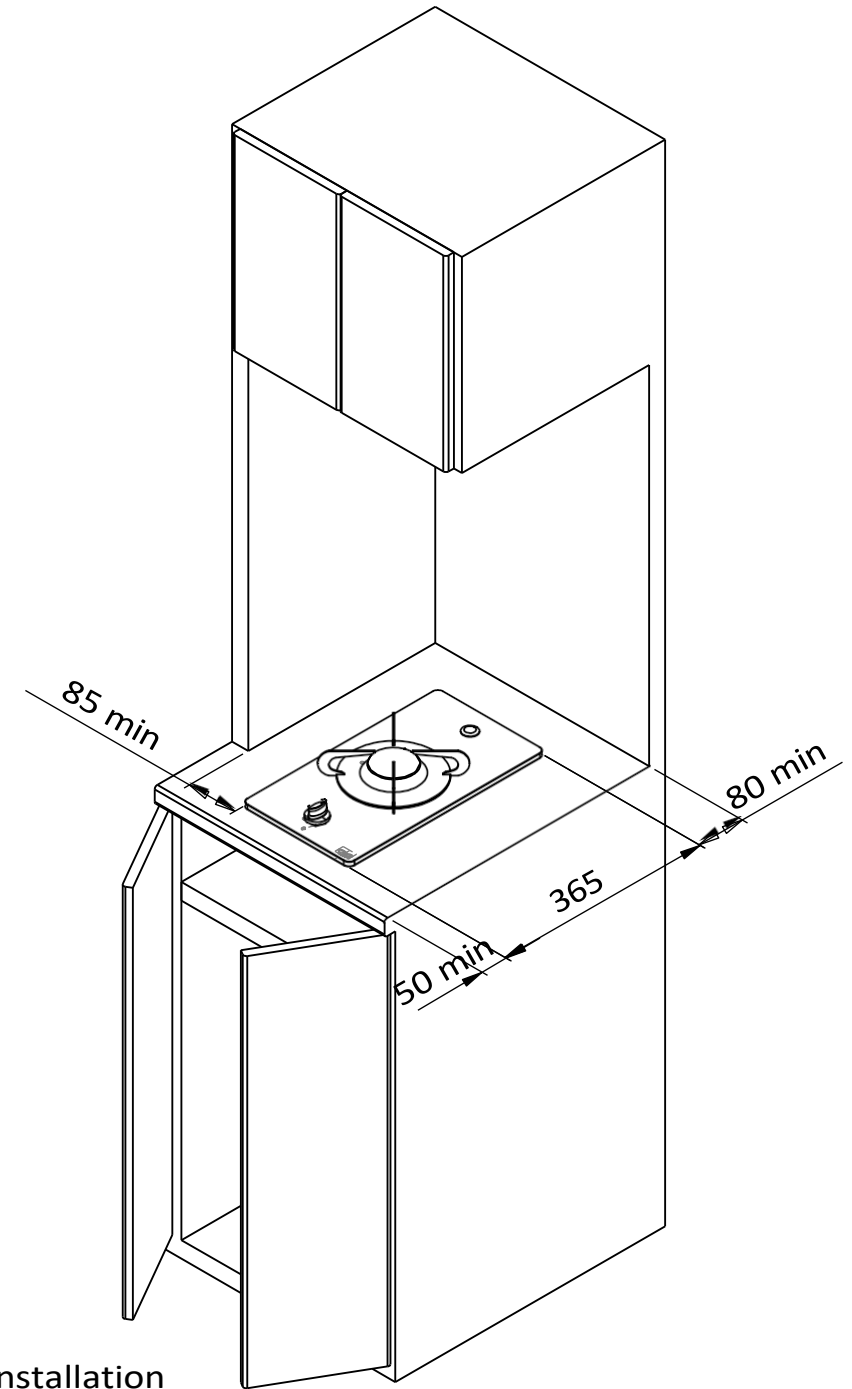
All rights are strictly reserved. Any form of use and/or reproduction without authorisation from CAN S.r.l. is prohibited. All rights are strictly reserved. Any form off reproduction or issue is forbidden without permission of CAN S.r.l.




SECTION A-A
SCALE: 1 : 5



Panel of separation installation
only mandatory where
appliances are installed below
the hob



Rev. Drawer: FM	Rev. Day: 15/11/2021	Rev. Description: EMISSION		
 www.cansrl.com	Material:	Weight Kg: 2.11	Gen. Tolerance: ± 0,2	
	Finish:	Draftsman: FM	Scale-Scale: 1:10	
	Treatment:	Article: PV1350-S	Sheet-Sheet: A3 2 / 2	
	Description:	Article number:	Drawing Nr.	
	1F GLASS HOB PV 1350-S		Drawing No.	
		Date-Date: 15/11/2021	1000174	Rev: 01
APPROVED				

All rights are strictly reserved. Any form of use and/or reproduction without authorisation from CAN S.r.l. is prohibited. All rights are strictly reserved. Any form of reproduction or issue is forbidden without permission of CAN S.r.l.